



Gigabit PoE Lan Transformer

You can rest assured to buy Gigabit PoE Lan Transformer from JASN factory and we will offer you the best after-sale service and timely delivery. The PN G24T01DP provide 1000M speed rate and has DIP package.

Model:G24T01DP

JASN as a professional high quality Gigabit PoE Lan Transformer manufacturer, you can rest assured to buy Gigabit PoE Lan Transformer from our factory and we will offer you the best after-sale service and timely delivery.

Feature

Compliant with IEEE 802.3at standard.

Comply with ROHS requirements.

Suitable for End-span PoE applications with 720mA current capability

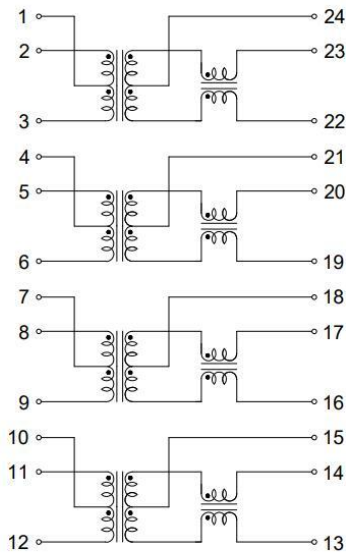
Operating temperature range: 0℃ to +70℃.

Storage temperature range: -25℃ to +105℃.

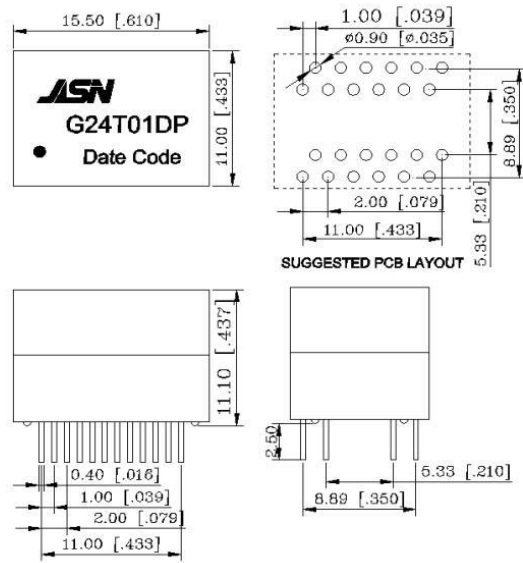
Electrical Specifications @ 25℃

OCL:	350uH Min. @100KHz/0.1V with 8mA DC Bias				
Hi-POT :	1500Vrms				
Turn Ratio:	1:1±3%				
LK:	0.5uH Max @100KHz/0.2V				
Cw/w	35PF Max @100KHz/0.2V				
D.C.R:	1.2 ohm Max				
Insertion Loss:	1-100MHz: -1.0dB Max				
Cross Talk :	1-100MHz: -30dB Min				
Return Loss:	1-30MHz	40MHz	50MHz	60-80MHZ	80-100MHZ
	-18dB Min	-14.4dB Min	-13.1dB Min	-12dB Min	-10dB Min

Schematic



Mechanical



Unless otherwise specified, all tolerances are ± 0.25